

## SCHOTTKY BARRIER RECTIFIER

VOLTAGE RANGE: 35 --- 300 V  
CURRENT:15.0A

### FEATURES

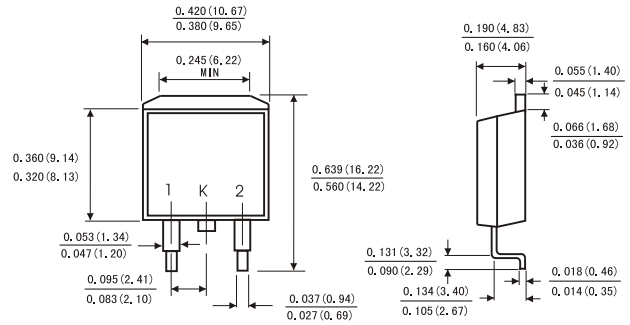
- ◇ Metal-semiconductor junction with guard ring
- ◇ Epitaxial construction
- ◇ Low forward voltage drop, low switching losses
- ◇ High surge capability
- ◇ For use in low voltage, high frequency inverters free wheeling, and polarity protection applications
- ◇ The plastic material carries U/L recognition 94V-0

### MECHANICAL DATA

- ◇ Case: JEDEC TO-263, molded plastic
- ◇ Terminals: Axial lead, solderable per MIL-STD-202, Method 208
- ◇ Polarity: As marked
- ◇ Weight: 0.08 ounces, 2.24 grams
- ◇ Mounting position: Any

### TO - 263

### D2PAK



Dimensions in inches and (millimeters)

### MAXIMUM RATINGS AND ELECTRICAL CHARACTERISTICS

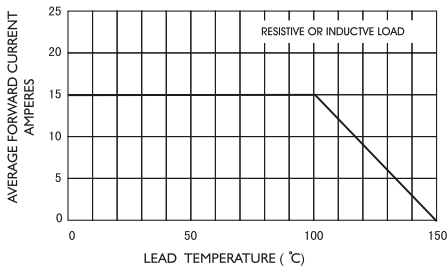
Ratings at 25°C ambient temperature unless otherwise specified.

Single phase, half wave, 60 Hz, resistive or inductive load. For capacitive load, derate by 20%.

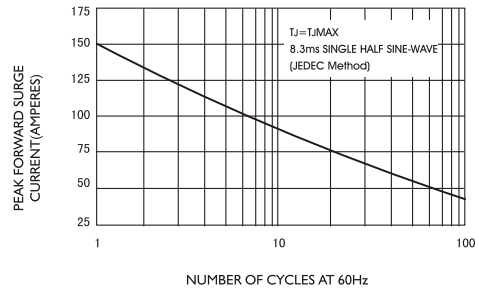
	Symbols	MBR 1535CT	MBR 1545CT	MBR 1550CT	MBR 1560CT	MBR 15100CT	MBR 15150CT	MBR 15200CT	Units
Maximum repetitive peak reverse voltage	V <sub>RRM</sub>	35	45	50	60	100	150	200	Volts
Maximum RMS voltage	V <sub>RMS</sub>	25	32	35	42	70	105	140	Volts
Maximum DC blocking voltage	V <sub>DC</sub>	35	45	50	60	100	150	200	Volts
Maximum average forward rectified current (see Fig. 1)	Per leg	7.5							Amps
	Total device	15.0							
Peak forward surge current 8.3ms single half sine-wave superimposed on rated load (JEDEC method)	I <sub>FSM</sub>	150.0							Amps
Maximum instantaneous forward voltage at 15 A	V <sub>F</sub>	0.60		0.75	0.85	0.90	0.95		Volts
Maximum instantaneous reverse current at rated DC blocking voltage (Note 1)	T <sub>c</sub> = 25°C	0.2							mA
	T <sub>c</sub> = 125°C	30			50				
Typical thermal resistance (Note 2)	R <sub>θJC</sub>	3.0							°C/W
Operating junction temperature range	T <sub>J</sub>	-65 to +150							°C
Storage temperature range	T <sub>STG</sub>	-65 to +150							°C

- NOTE: 1. Pulse test: 300us pulse width, 1% duty cycle.  
2. Measured at 1.0MHz and applied reverse voltage of 4.0V DC.  
3. Thermal resistance junction to ambient

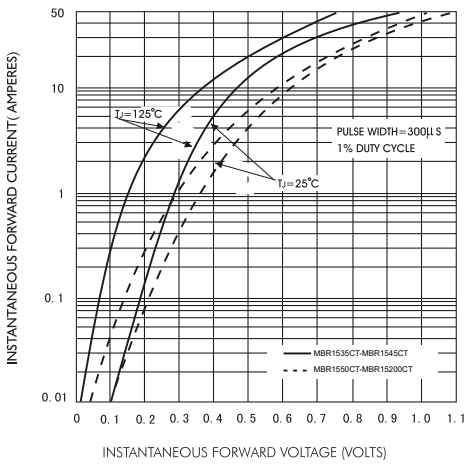
**FIG.1-FORWARD CURRENT DERATING CURVE**



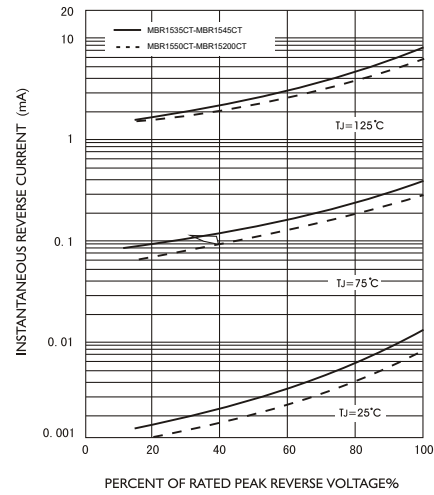
**FIG.2-MAXIMUM NON-REPETITIVE PEAK FORWARD SURGE CURRENT**



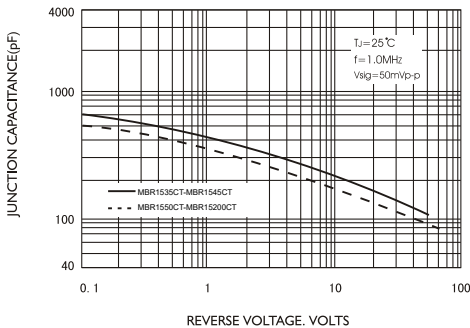
**FIG.3-TYPICAL INSTANTANEOUS FORWARD CHARACTERISTICS**



**FIG.4-TYPICAL REVERSE CHARACTERISTICS**



**FIG.5-TYPICAL JUNCTION CAPACITANCE**



**FIG.6-TYPICAL TRANSIENT THERMAL IMPEDANCE**

